

Finn-Power NC-series

NC20, NC30 and NC40 nut crimping machines produce accurate and consistent results when crimping the nuts, ferrules and bushings on ends of hydraulic hoses. Their various serviceable features make them suitable for serial production.

STANDARD FEATURES

- Finn-Power UC control
- fast, efficient and accurate crimping
- simple installation and start up
- ergonomic design
- constant center line die movement
- centring pin
- foot pedal

OPTIONS

- pressure crimping
- multi-step crimping
- online quality monitoring
- G3 auto greasing
- remote control



NC30 UC model with
G3 auto greasing option



UC CONTROL

The most advanced crimping control in the world. Basic functions are quick and easy to use. The optimally tailored features extend to online quality monitoring, with enhanced data handling and reporting capability.

- easy basic use
- data storage
 - counters
- energy saving mode
 - connectivity
 - expandability

Technical specifications

	NC20	NC30	NC40
Crimping range Ø (mm)	12... 49	12... 63	12... 105
Crimping force (kN)	500	660	930
Number of crimps/hour ⁽³⁾	2100	2400	1900
Hose size ID (inch)	1¼	2	2
Die type ^{(1) (4)}	NC20	NC30	NC20/NC30/NC40
Max opening (mm) ⁽²⁾	+18	+26	+26
Master die shoe length (mm)	22	35	37
Motor (kW)	3	4	4
Dimensions:			
length (mm)	835	835	835
width (mm)	650	650	885
height (mm)	947	947	997
Weight (kg)	220	240	240

(1) see table for standard die set data;
 (2) min. crimping dia of die set added by table value
 (3) theoretical with ½" hose ΔØ 10 mm
 (4) NC20 and NC30 dies can be used with adapter dies

Subject to changes without prior notice.

NC20 STANDARD DIE SETS

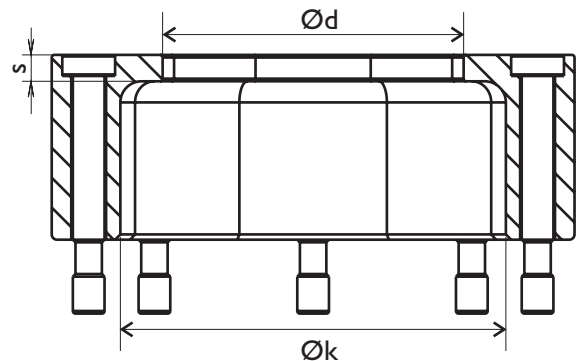
Code	Crimping diameter	d	k	s
18546/12	12.0 - 16.0	12	24	3
18546/16	16.0 - 22.0	16	28	4
18546/22	22.0 - 27.0	22	34	4.5
18546/27	27.0 - 34.0	27	40	5
18546/34	34.0 - 41.0	34	48	5
18546/41	41.0 - 49.0	41	55	5

In addition to the standard die sets, a special die sets are available according to customer's request.

NC40 SPECIAL DIE SETS

Code	Crimping diameter	d	k	s
703955/63	63.0 - 69.0	63	79	5
703955/69	69.0 - 73.0	69	83	5
703955/73	73.0 - 81.0	73	88	6
703955/81	81.0 - 93.0	81	100	7
703955/93	93.0 - 105.0	93	110	7

In addition to the standard die sets, a special die sets are available according to customer's request.



NC30 STANDARD DIE SETS

Code	Crimping diameter	d	k	s
702044/12	12.0 - 14.0	12	24	3
702044/14	14.0 - 16.0	14	26	3
702044/16	16.0 - 19.0	16	28	4
702044/19	19.0 - 22.0	19	31	4
702044/22	22.0 - 26.0	22	34	4.5
702044/26	26.0 - 30.0	26	38	4.5
702044/30	30.0 - 34.0	30	44	5
702044/34	34.0 - 39.0	34	48	5
702044/39	39.0 - 45.0	39	53	5
702044/45	45.0 - 51.0	45	59	5
702044/51	51.0 - 57.0	51	67	5
702044/57	57.0 - 63.0	57	73	5

In addition to the standard die sets, a special die sets are available according to customer's request.